

USED ON A7201

KTJ SETS UP J REGISTER FOR MULTIPLICATION AND DIVISION AS FOLLOWS

FUNCTION	J5	J2	J1
12	1	0	1
13	1	1	0

J REG SET UP BY

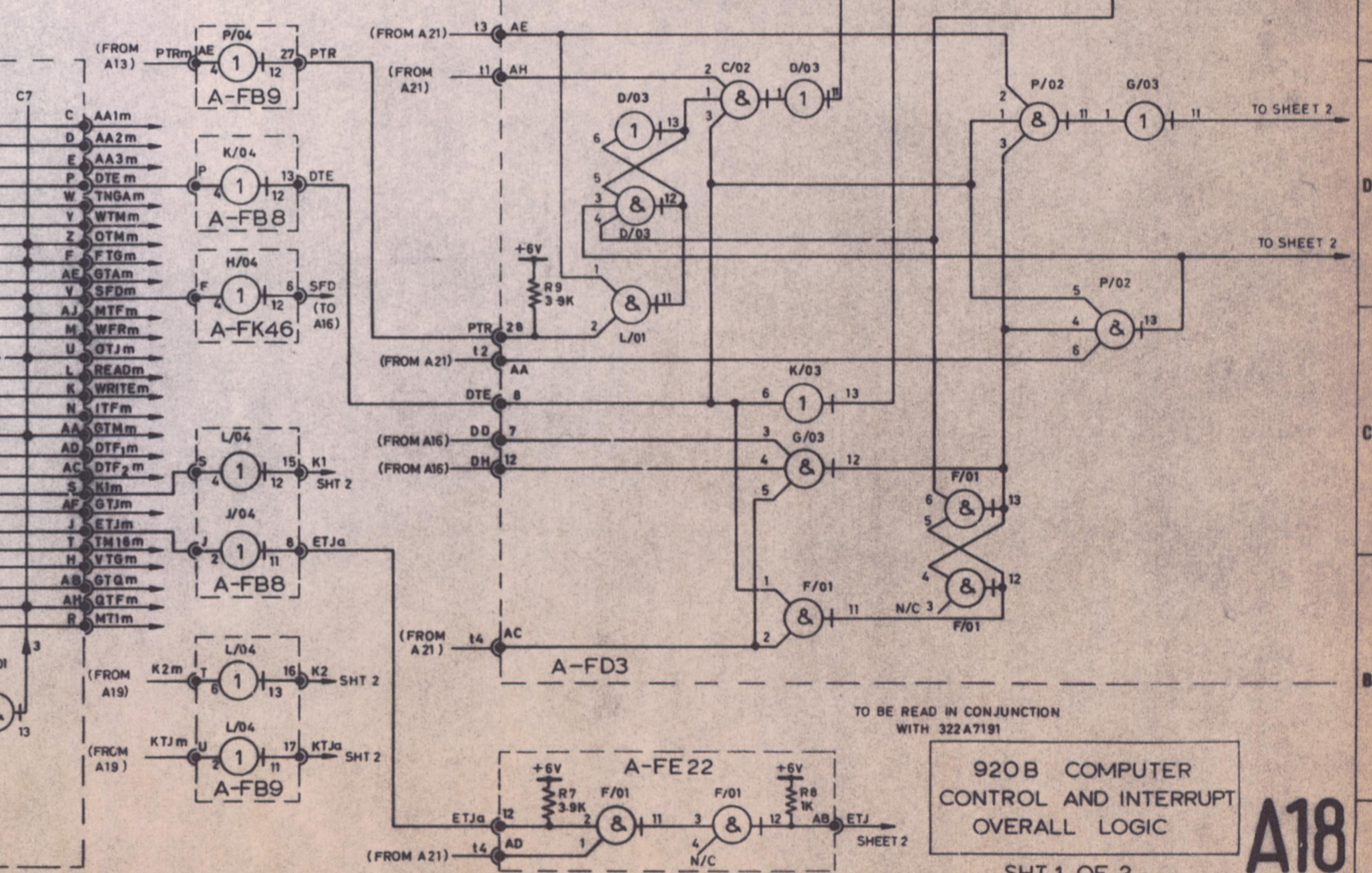
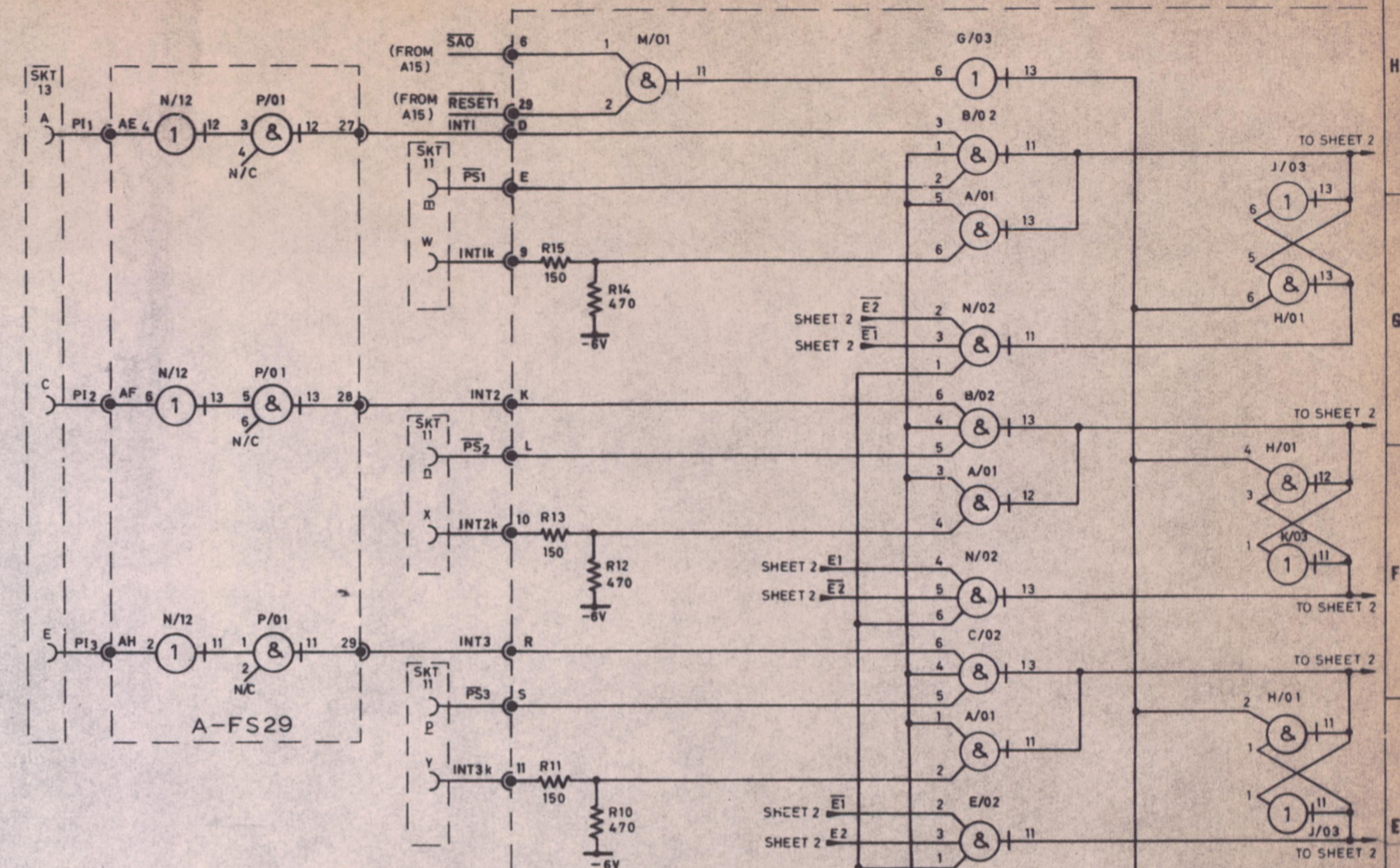
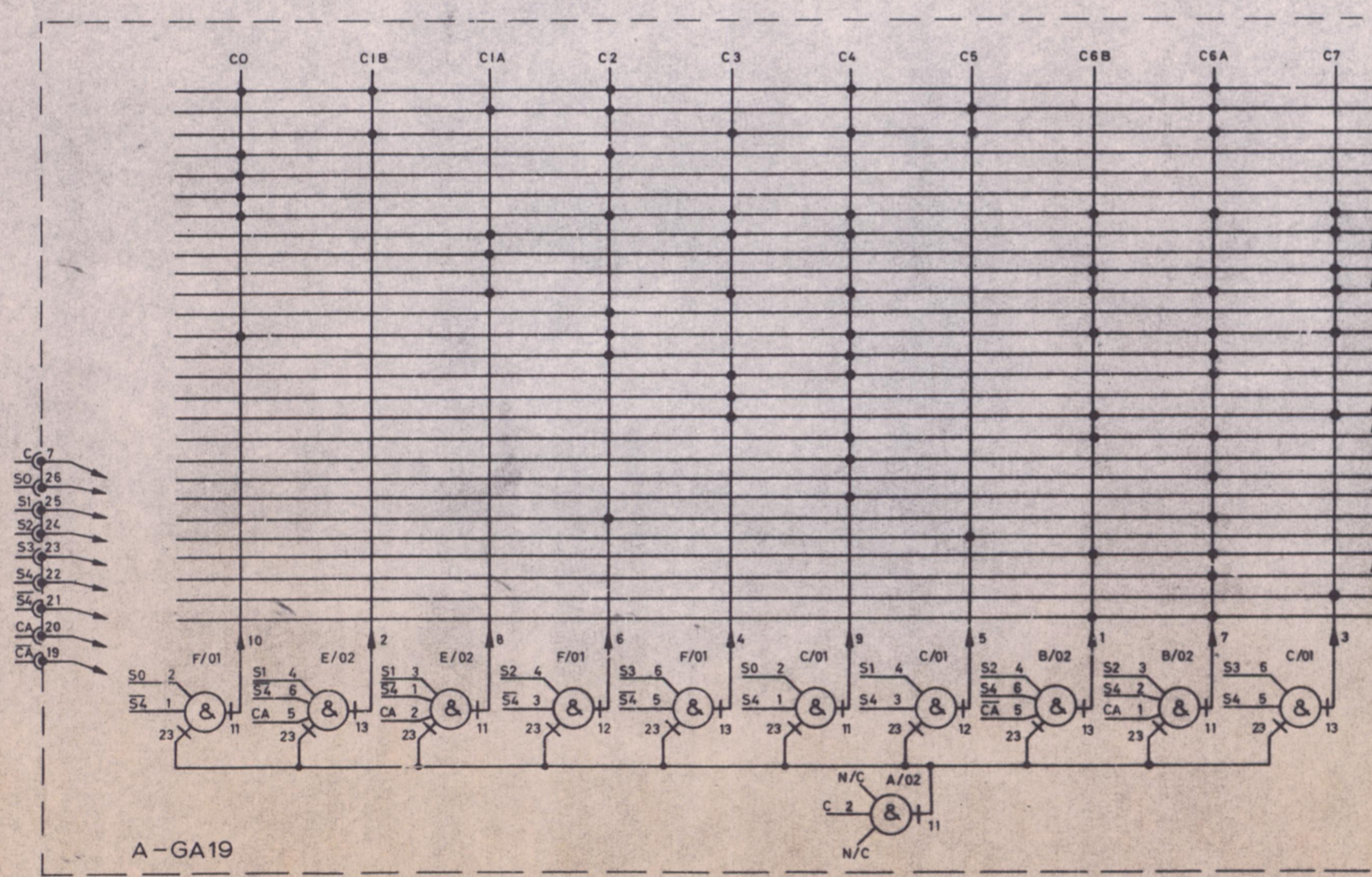
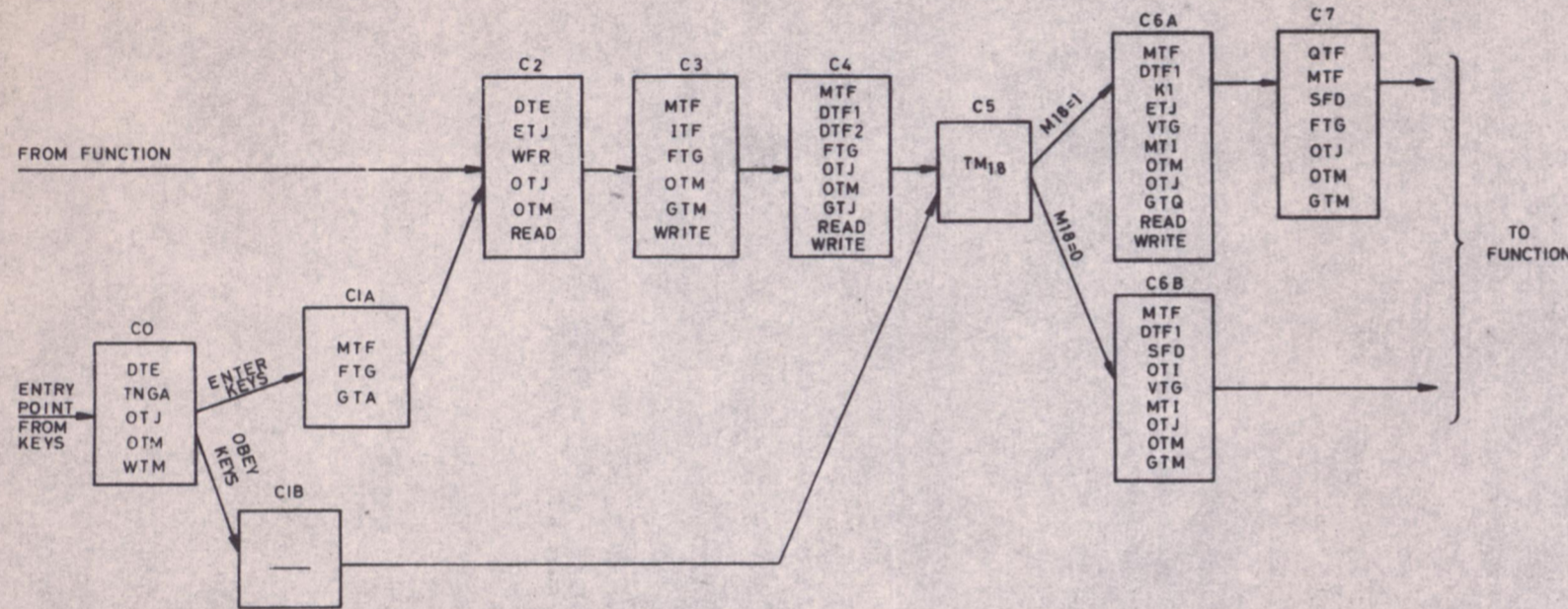
KTJ <sub>5</sub>	ETJ <sub>1</sub> FROM KTJ WHEN K2=1	KTJ <sub>1</sub> FROM KTJ WHEN K2=0
------------------	-------------------------------------	-------------------------------------

ETJ SETS UP APPROPRIATE SCR OR B REGISTER ADDRESS IN I REGISTER AS FOLLOWS

PRIORITY LEVEL	E1	E2	J3	J2	J1	
					FOR SCR	FOR B REG
1(HIGHEST)	0	0	0	0	0	1
2	1	0	0	1	0	1
3	0	1	1	0	0	1
4(LOWEST)	1	1	1	1	0	1

J. REG. SET UP BY

ETJ <sub>3</sub>	ETJ <sub>2</sub>	KTJ <sub>1</sub> FROM ETJ AND K1=1
------------------	------------------	------------------------------------



920B COMPUTER CONTROL AND INTERRUPT OVERALL LOGIC

SHT 1 OF 2

**A18**